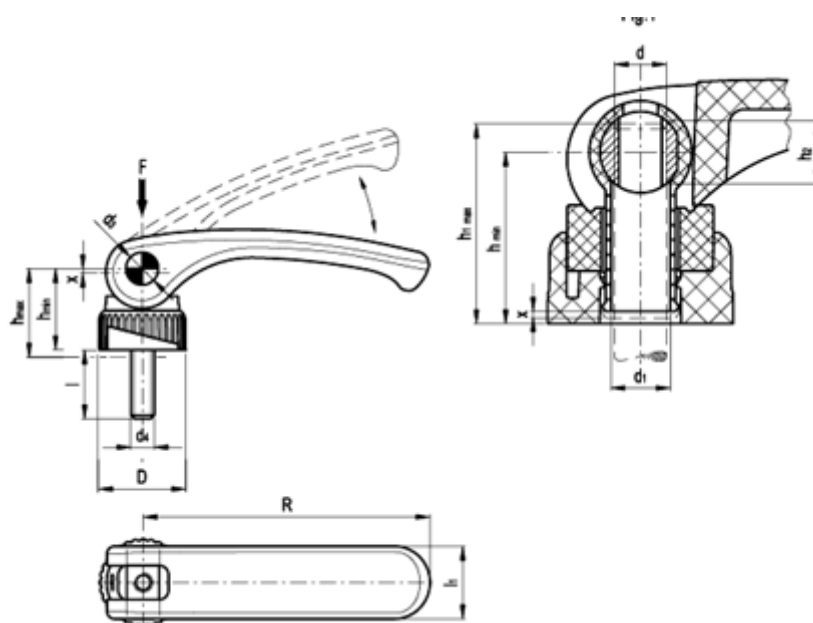


Data Sheet



Article number: 2303033532
Description: E+G Cam Lever
LAC-R-80 p-M8x25

Measures



d	= M8	l1	= 20
D	= 25	R	= 79
d1	= 8.1	Tightening (N m)	= 7000
d3	= 11	Weight (g)	= 53
d4	= M8	x	= 1
H max	= 28		
H min	= 26.5		
l	= 25		